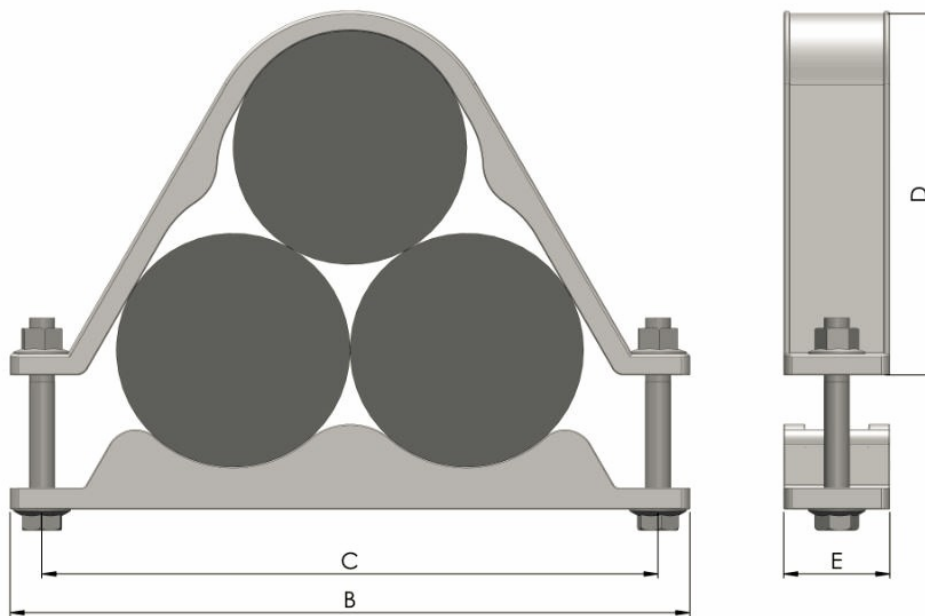




- Suitable for use with cable diameters 15 to 150 mm.
- Manufactured from Aluminium alloy.
- Two-piece, two fixing design.
- Operating temperature -60°C to +105°C.
- Suitable for LV & HV cables.
- Can be used for all types of cable routes.
- Plain finish- for normal industrial areas or indoor application.
- Epoxy coated versions available for harsh environments/outdoor.
- Optional Neoprene liner available.
- In accordance with BS EN 61914:2009
- Supplied with SS 304 Fastners.



Cable Diameter (mm)		Cable Diameter with Liner (mm)			B (mm)	C (mm)	D (mm)	E (mm)	E-CODE
Min.	Max.	Min.	Liner Thk.	Max.					
15	30	9	3	24	110	90	47	30	AXTC030
30	45	24	3	39	155	130	67	30	AXTC045
45	60	39	3	54	190	165	90	40	AXTC060
60	75	54	3	69	230	200	110	40	AXTC075
75	90	69	3	84	270	245	142	40	AXTC090
90	105	80	5	95	320	290	170	50	AXTC105
105	120	95	5	110	380	340	200	60	AXTC120
120	135	110	5	125	405	370	225	60	AXTC135
135	150	125	5	140	450	410	250	60	AXTC150

NOTE : ADD SUFFIX "L" TO E-CODE FOR CABLE CLEAT WITH LINER