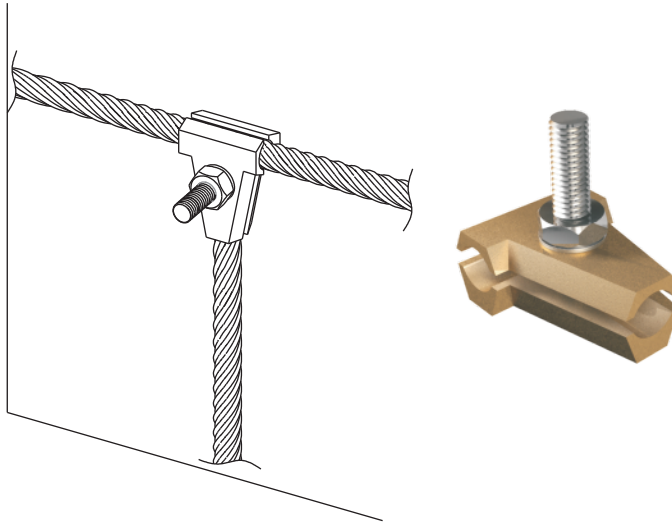


LIGHTNING PROTECTION SYSTEM / CIRCULAR CONDUCTOR SYSTEM

TEE CLAMP

Used for forming tee joints



MATERIAL : HIGH GRADE COPPER ALLOY
BOLT : STAINLESS STEEL - SS304

Conductor size, mm ²	E - Code
35 - 50	GTC0035
70 - 95	GTC0095
120	GTC0120