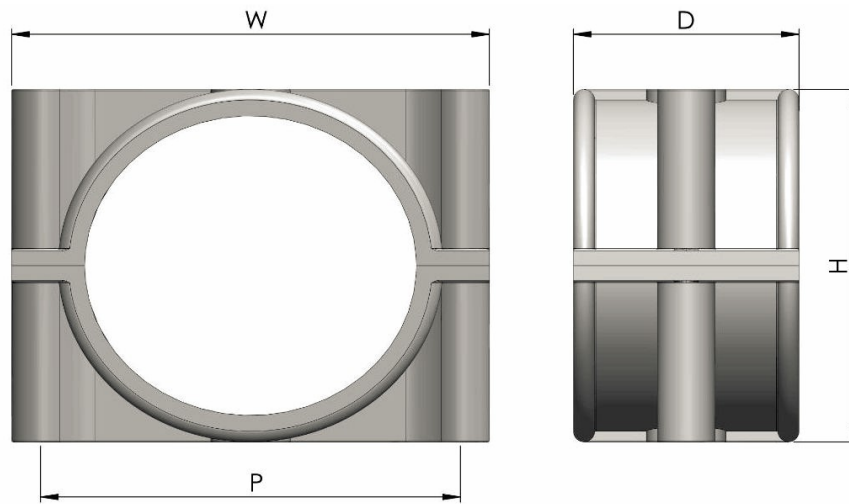


- Suitable for use with cable diameters 30 to 135mm.
- Manufactured from Aluminium alloy.
- Two-piece, two fixing design.
- Can be double stacked on common fixings.
- Operating temperature -60°C to +105°C.
- Suitable for LV & HV cables upto 132KV.
- Can be used for all types of cable routes.
- Plain finish- for normal industrial areas or indoor application.
- Epoxy coated versions available for harsh environments/outdoor.
- Optional Neoprene liner available.
- In accordance with BS EN 61914:2009
- Short circuit withstand : 110 KA (peak)
- Supplied with SS 304 Fastners.



Cable Diameter (mm)		Cable Diameter With Liner (mm)			W (mm)	H (mm)	D (mm)	P (mm)	Fixing Bolt	E - CODE
Min	Max	Min	Liner Thk	Max						
30	40	24	3	34	93	42	45	71	2 x M10	AXSC040
40	50	34	3	44	104	52	45	82	2 x M10	AXSC050
48	55	42	3	49	108	60	45	86	2 x M10	AXSC055
55	64	49	3	58	118	67	50	95	2 x M10	AXSC064
64	70	58	3	64	125	76	50	102	2 x M10	AXSC070
70	76	64	3	70	130	82	50	108	2 x M10	AXSC076
76	83	70	3	77	138	90	60	115	2 x M12	AXSC083
83	89	77	3	83	144	97	60	121	2 x M12	AXSC089
89	95	83	3	89	152	107	60	130	2 x M12	AXSC095
95	101	85	5	91	158	113	60	136	2 x M12	AXSC101
101	115	91	5	105	175	119	85	152	2 x M12	AXSC115
115	125	105	5	115	180	133	85	158	2 x M12	AXSC125
125	135	115	5	125	192	143	85	170	2 x M12	AXSC135

NOTE : ADD SUFFIX "L" TO E-CODE FOR CABLE CLEAT WITH LINER