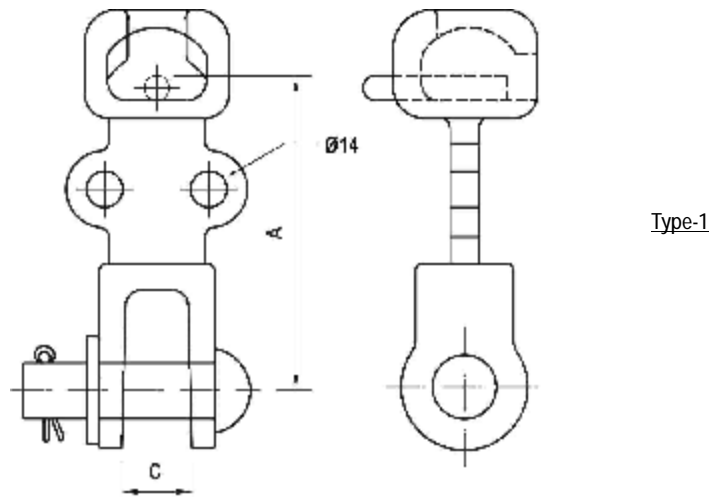


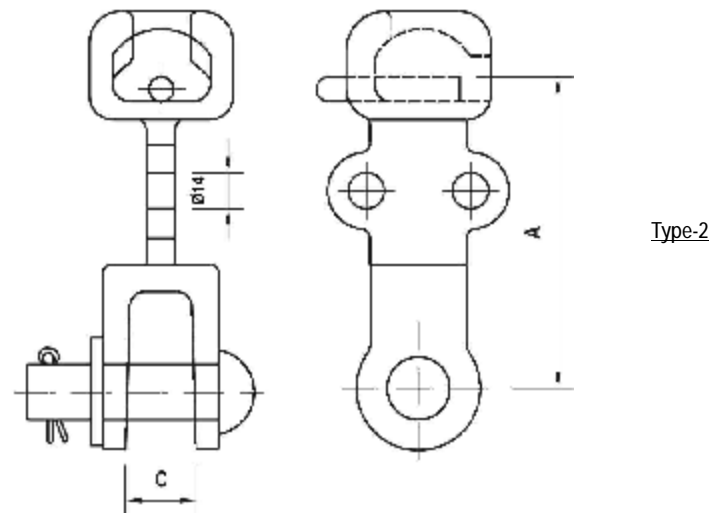
Insulator Hardware Fittings

Material : Forged Steel
 Finish : Hot dip galvanised to BS 729

Horn Holder Socket Eye



Type-1



Type-2

Type	A mm	B mm	Ball Size mm	Rating Kg	Cat. #
1	100	22	20	11,500/16,500	HHSC01
2	100	22	20	11,500/16,500	HHSC02