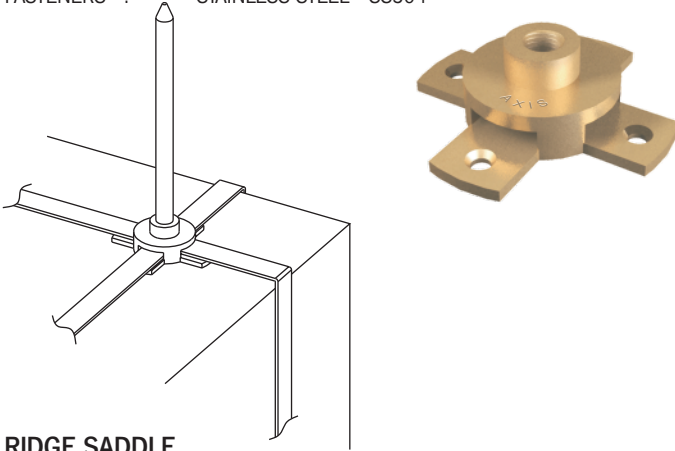


LIGHTNING PROTECTION SYSTEM

AIR TERMINAL BASE

For supporting air rods onto flat roof surfaces and to accommodate conductor tape for lightning protection system.

MATERIAL : HIGH GRADE COPPER ALLOY
 FASTENERS : STAINLESS STEEL - SS304

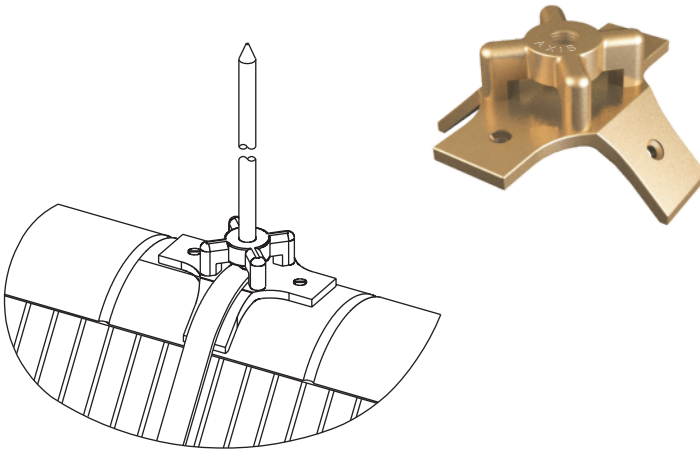


Thread Dia.	Max. Tape Size mm	Material	E - Code
5/8"	25 x 6	Copper	ATB0016C
3/4"	25 x 6	Copper	ATB0020C
5/8"	25 x 6	Aluminium	ATB0016A
3/4"	25 x 6	Aluminium	ATB0020A

RIDGE SADDLE

This is used for supporting lightning conductor air terminals on the roof ridges.

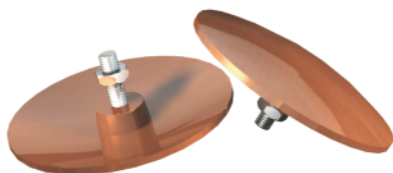
MATERIAL : HIGH GRADE COPPER ALLOY



Thread Dia.	Max. Tape Size mm	Material	E - Code
5/8"	30 x 6	Copper	RGS0016C
3/4"	30 x 6	Copper	RGS0020C
5/8"	30 x 6	Aluminium	RGS0016A
3/4"	30 x 6	Aluminium	RGS0020A

STRIKE PAD

Strike pads are used where it is not possible or preferred to attach conductors on the roof or side of the building. Applications like ware houses or Multi-story parking garages, where the conductors are laid into the tarmac, or the side of the building, but not possible to run the conductor outside.



DIAMETER	HEIGHT	MATERIAL	E-CODE
120	20	ALUMINIUM	SPA120
		COPPER	SPC120

