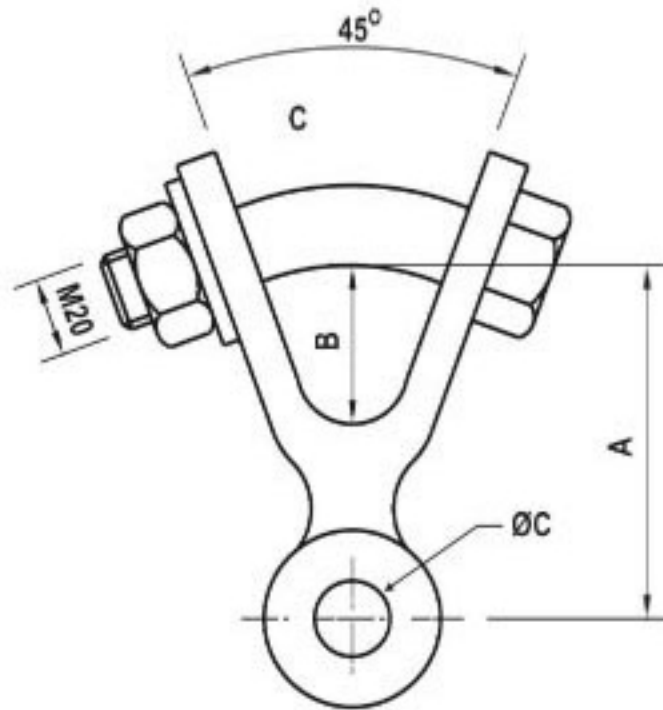
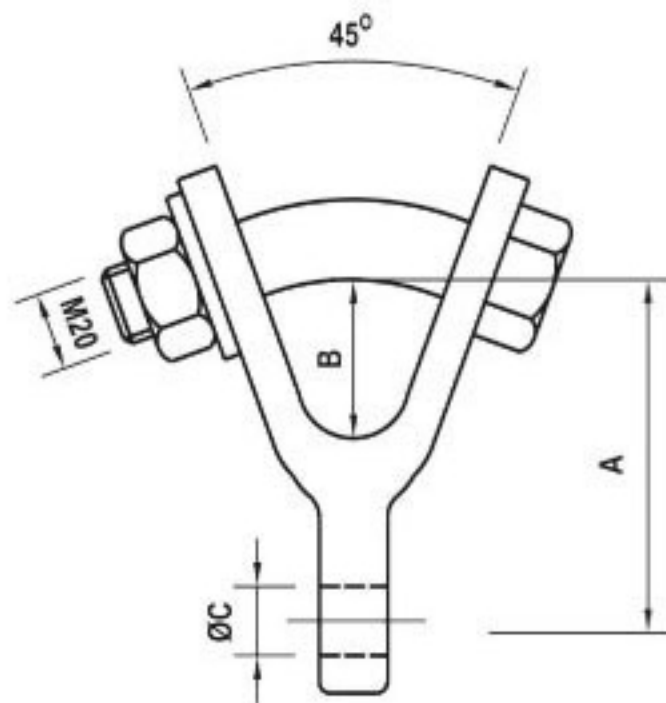


Material : Forged Steel
 Finish : Hot dip galvanised to BS 729

Y - Clevis Eye



Type-1



Type-2

Type	A mm	B mm	C mm	Rating Kg	Cat. #
1	83	38	22	11,500/16,500	YCE01
2	83	38	22	11,500/16,500	YCE02