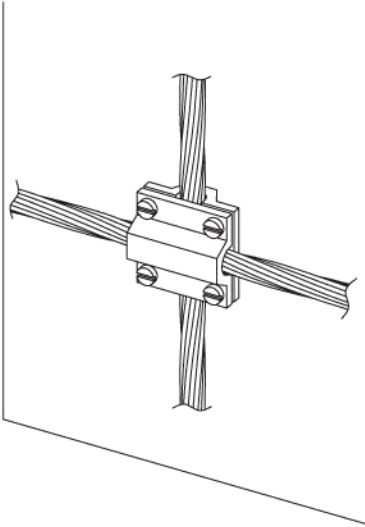


LIGHTNING PROTECTION SYSTEM / CIRCULAR CONDUCTOR SYSTEM



SQUARE CLAMP

Suitable for 4 way connections, straight through or tee joints for rods.



MATERIAL : HIGH GRADE COPPER ALLOY
BOLT : STAINLESS STEEL - SS304

Conductor size, mm ²	E - Code
35	GSQ0035
50	GSQ0050
70 - 95	GSQ0095
120	GSQ0120

