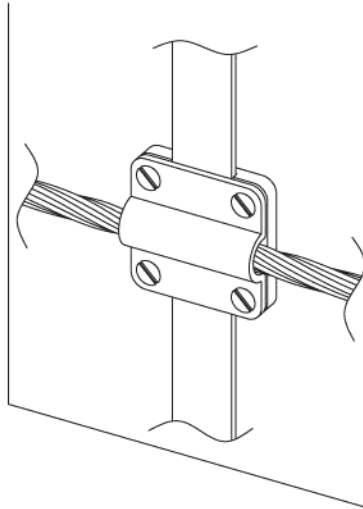


## SQUARE CLAMP WITH COMBINATION

Suitable to connect conductor to tape

MATERIAL : HIGH GRADE COPPER ALLOY  
 FASTENERS : STAINLESS STEEL - SS304



CONDUCTOR SIZE IN mm <sup>2</sup>	COPPER FLAT SIZE IN mm	E-CODE
35 - 50	20 x 3	SCC50203
35 - 50	25 x 3	SCC50253
70 - 95	25 x 3	SCC95253
70 - 95	30 x 3	SCC95303

NOTE : OTHER SIZES & COMBINATIONS AVAILABLE

