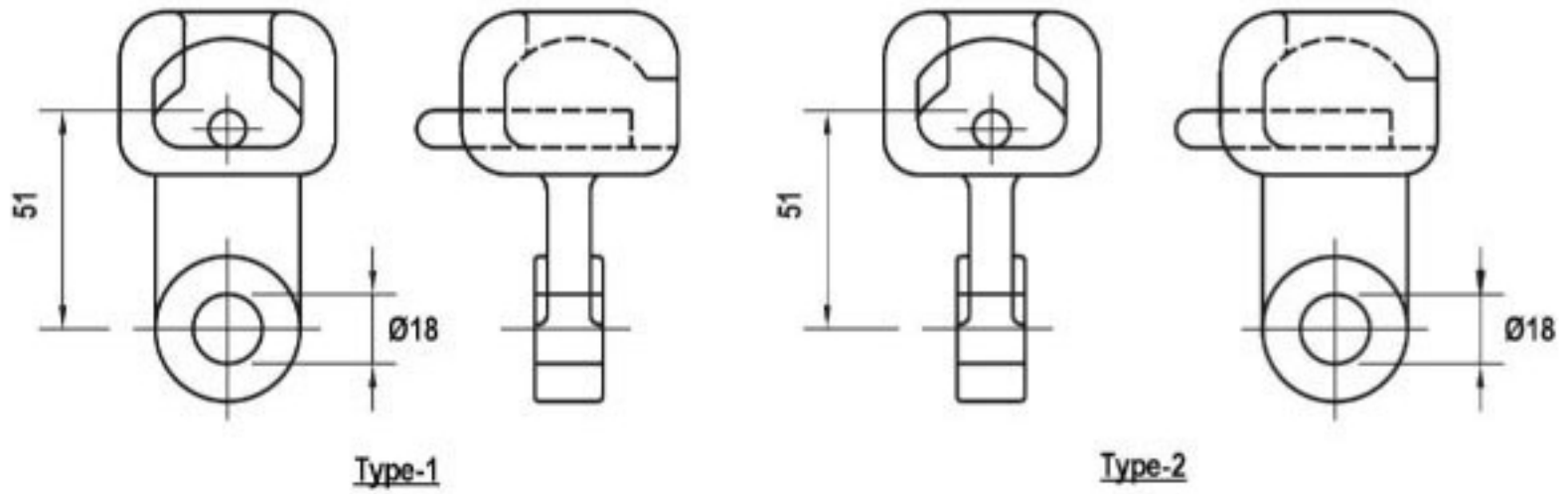


Insulator Hardware Fittings

Material : Forged Steel

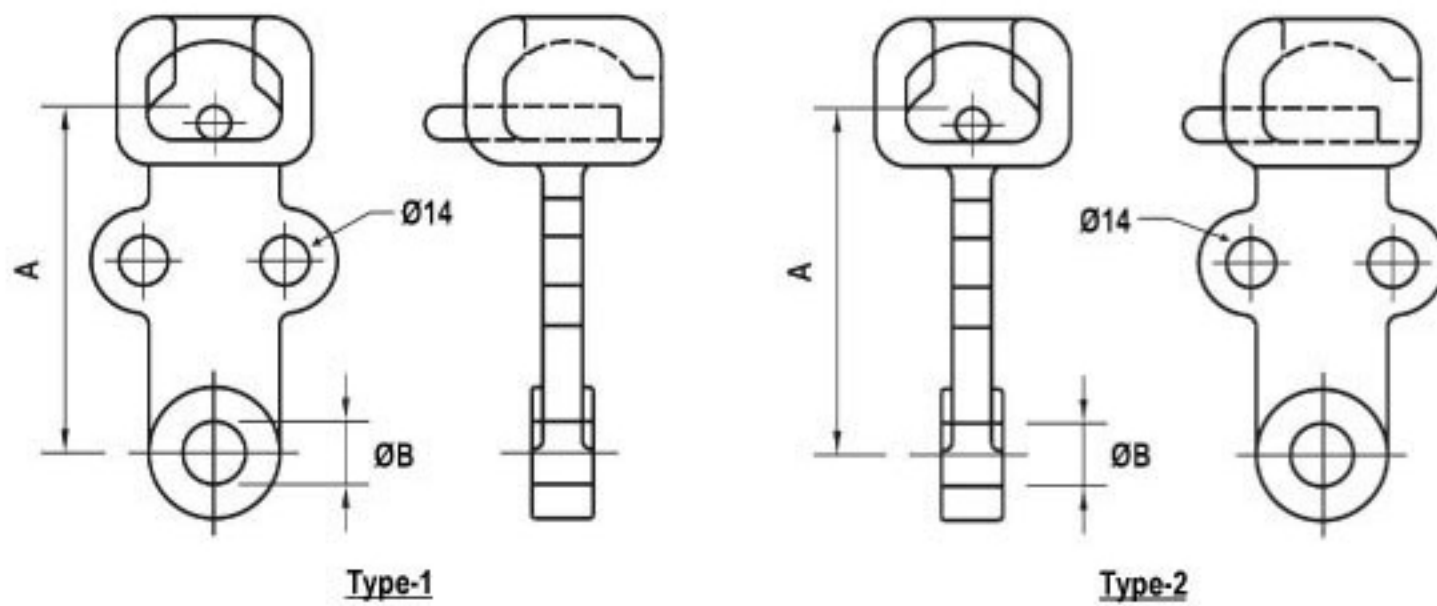
Finish : Hot dip galvanised to BS 729

Socket Eye



Type	Ball Size mm	Rating Kg	Cat. #
1	16	4,500/7,000	SE01
1	16	9,000/11,500	SE02
2	16	7,000/9,000	SE03
2	16	9,000/11,500	SE04

Horn Holder Socket Eye



Type	A mm	B mm	Ball Size mm	Rating Kg	Cat. #
1	128	18	16	7,000/9,000	HHSE01
2	79	18	16	9,000/11,500	HHSE02
2	79	22	20	11,500/16,500	HHSE03