

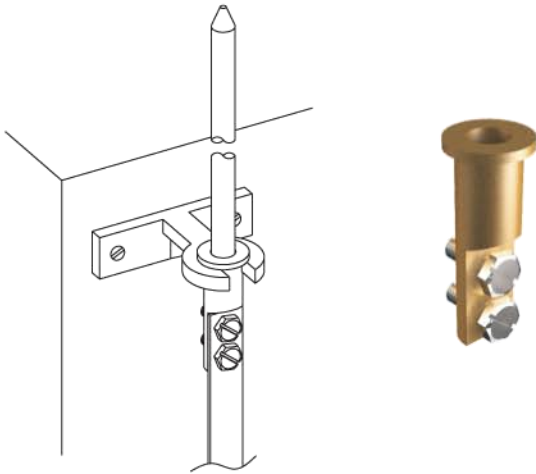
LIGHTNING PROTECTION SYSTEM



ROD TO TAPE COUPLING

Used to connect elevation rod to earthing tape.

MATERIAL : HIGH GRADE COPPER ALLOY
FASTENERS : STAINLESS STEEL - SS304



Rod Dia. mm	Thread Dia.	Max. Tape Size mm	Material	E - Code
14.2	5/8"	25 x 6	Copper	RTC0016C
17.2	3/4"	25 x 6	Copper	RTC0020C
14.2	5/8"	25 x 6	Aluminium	RTC0016A
17.2	3/4"	25 x 6	Aluminium	RTC0020A

