

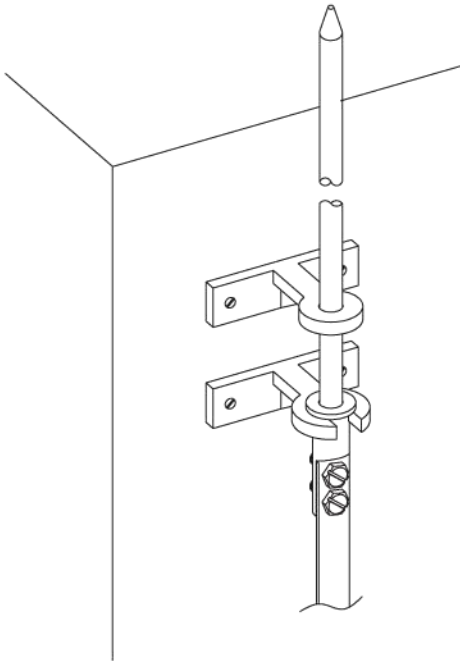
# LIGHTNING PROTECTION SYSTEM



## ROD BRACKETS

Used to support & continue elevation rod

MATERIAL : HIGH GRADE COPPER ALLOY



Rod Dia. mm	Material	E - Code
14.2	Copper	RB0016C
17.2	Copper	RB0020C
14.2	Aluminium	RB0016A

NOTE : TO BE USED IN A SET

