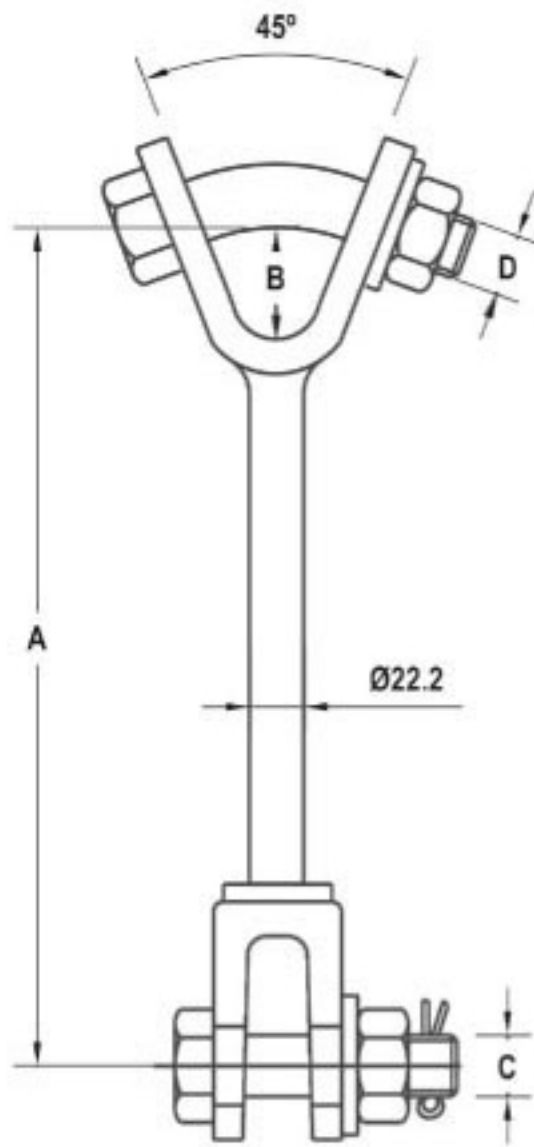
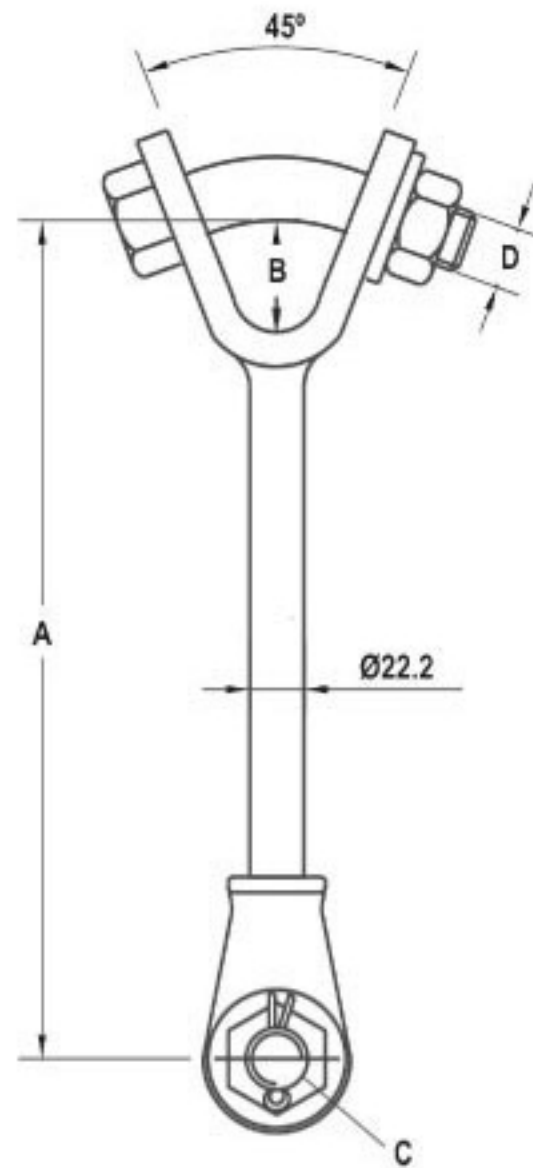


Material : Forged Steel  
 Finish : Hot dip galvanised to BS 729

## Hot Line Y- Clevis Clevis



**Type-1**



**Type-2**

Type	A mm	B mm	C mm	D mm	Rating Kg	Cat. #
1	263	42	M16	M20	13,600	HLYCC01
2	263	42	M16	M20	13,600	HLYCC02