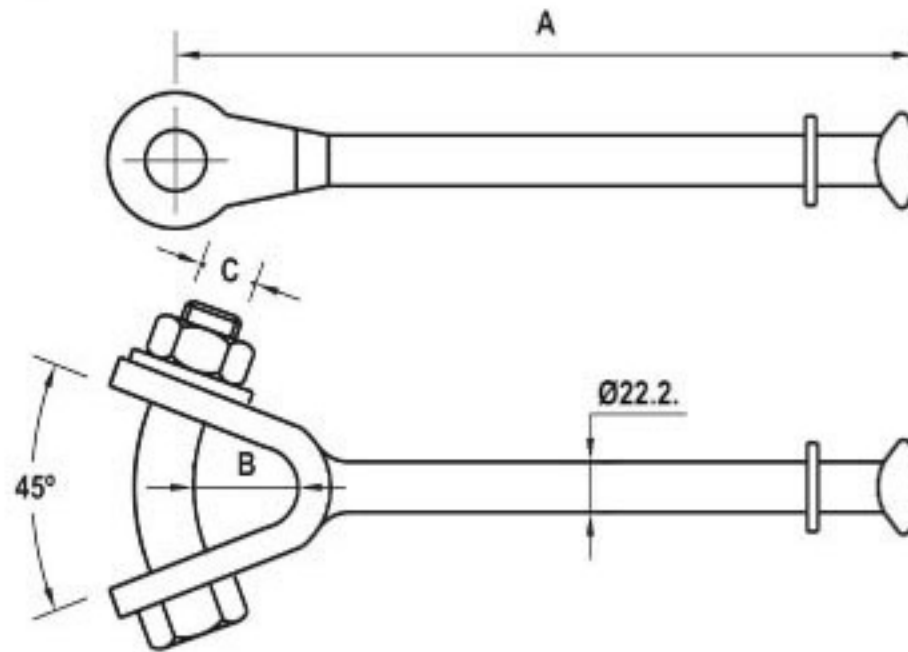
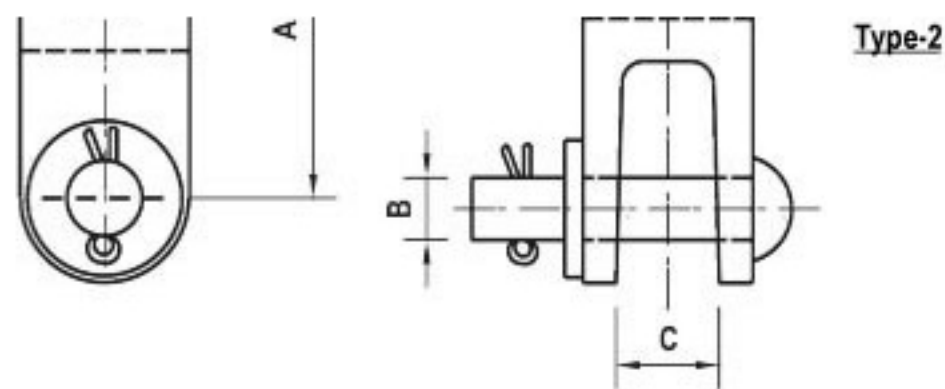


Material : Forged Steel
 Finish : Hot dip galvanised to BS 729

Hot Line Y-Ball Clevis



A mm	B mm	C mm	Ball Size mm	Rating Kg	Cat. #
242	38	M20	16	13,600	HLYBC01
306	38	M20	16	18,000	HLYBC02



Type	A mm	B mm	C mm	Rating Kg	Cat. #
1	76	16	21	7,000/9,000	CC01
1	76	20	23	11,500/16,500	CC02
2	76	16	21	7,000/9,000	CC03
2	76	20	23	11,500/16,500	CC04