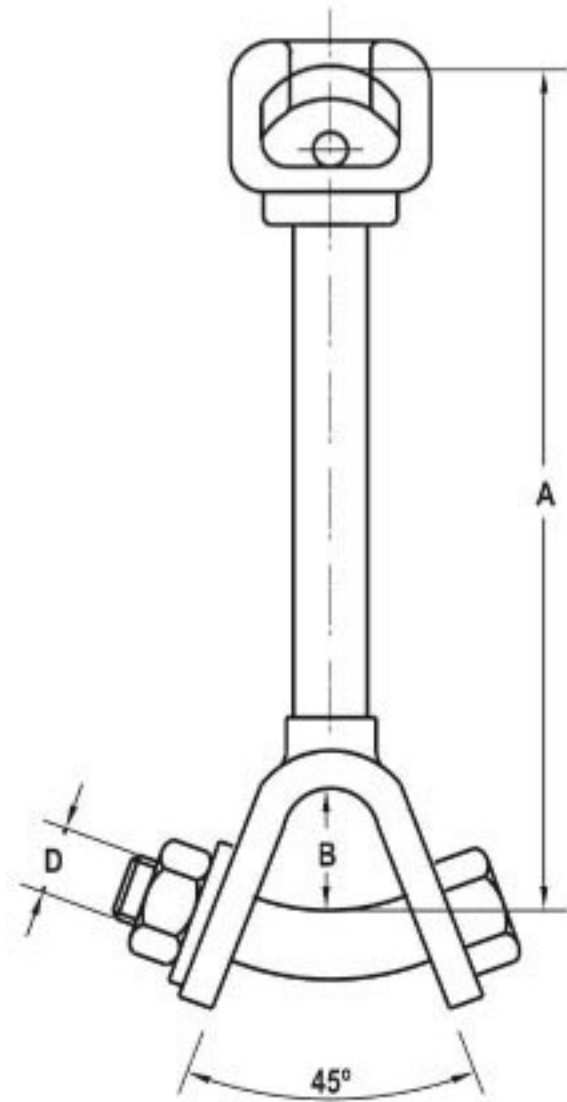
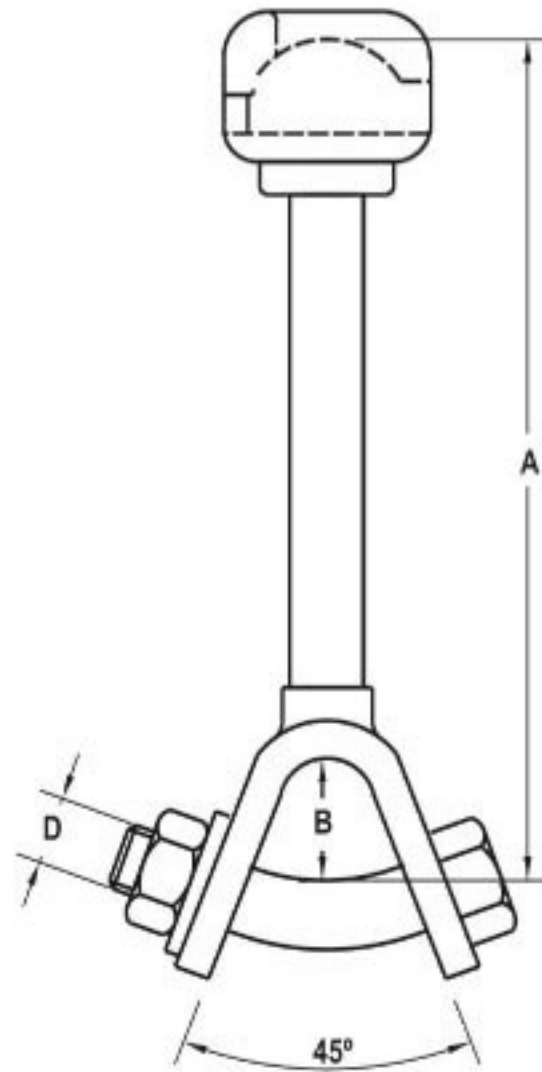


Material : Forged Steel  
 Finish : Hot dip galvanised to BS 729

## Hot Line Socket Y-Clevis



**Type-1**



**Type-2**

Type	A mm	B mm	D mm	Rating Kg	Cat. #
1	245	42	M20	13,600	HLSYC01
2	245	42	M20	13,600	HLSYC02