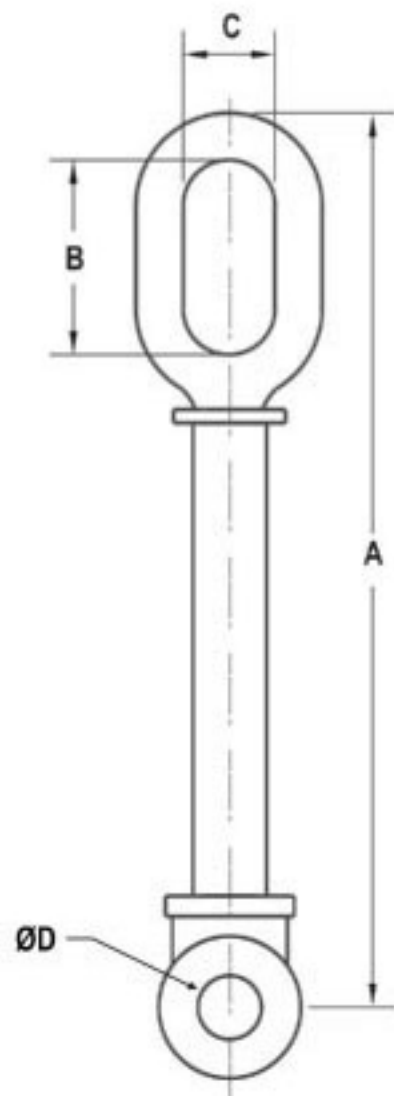
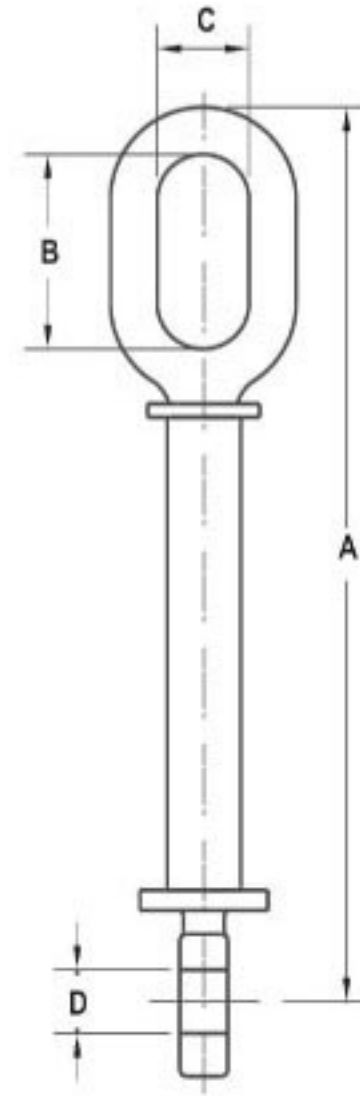


Material : Forged Steel  
 Finish : Hot dip galvanised to BS 729

## Hot Line Eye Link



**Type-1**



**Type-2**

Type	A mm	B mm	C mm	D mm	Rating Kg	Cat. #
1	550	50	25	18	9,000	HLEL01
1	305	50	25	18	13,600	HLEL02
1	685	50	25	18	9,000	HLEL03
1	380	50	25	18	13,600	HLEL04
2	550	50	25	18	9,000	HLEL01
2	305	50	25	18	13,600	HLEL02
2	685	50	25	18	9,000	HLEL03
2	380	50	25	18	13,600	HLEL04