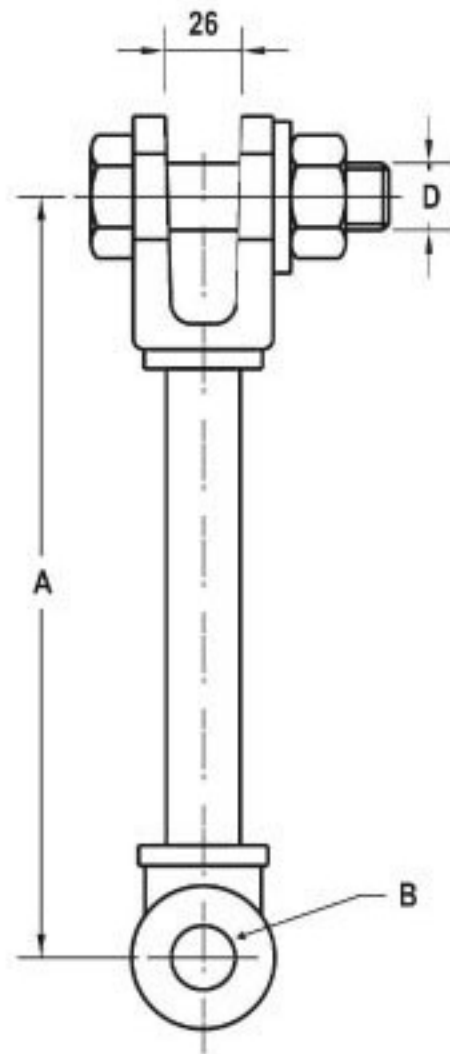
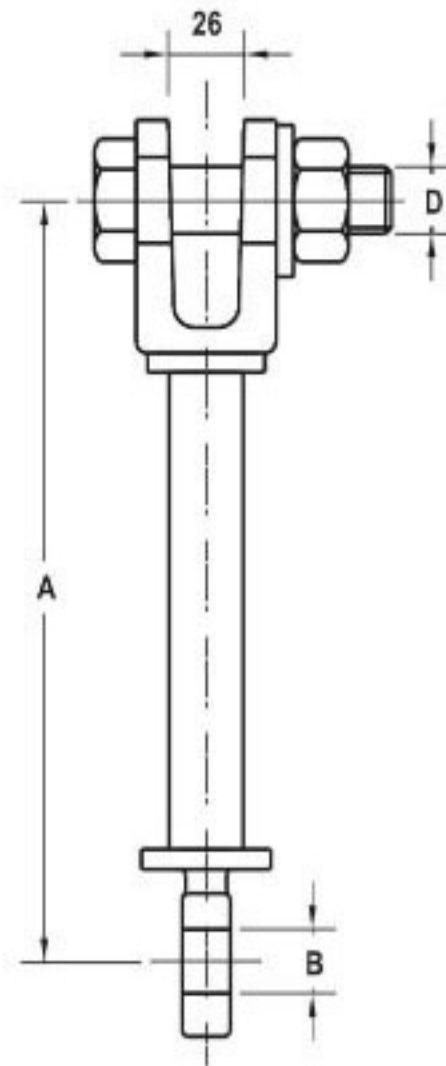


Material : Forged Steel  
 Finish : Hot dip galvanised to BS 729

## Hot Line - Clevis Eye



Type-1



Type-2

Type	A mm	B mm	D mm	Rating Kg	Cat. #
1	254	18	M20	13,600	HLCE01
2	254	18	M20	13,600	HLCE02