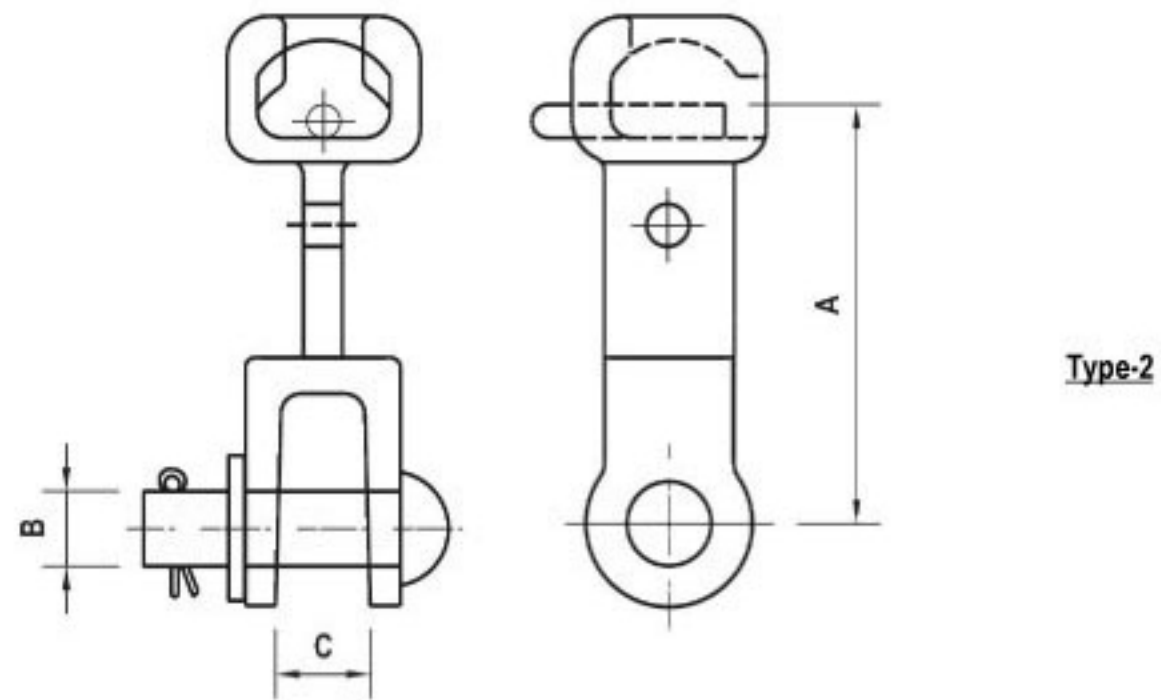
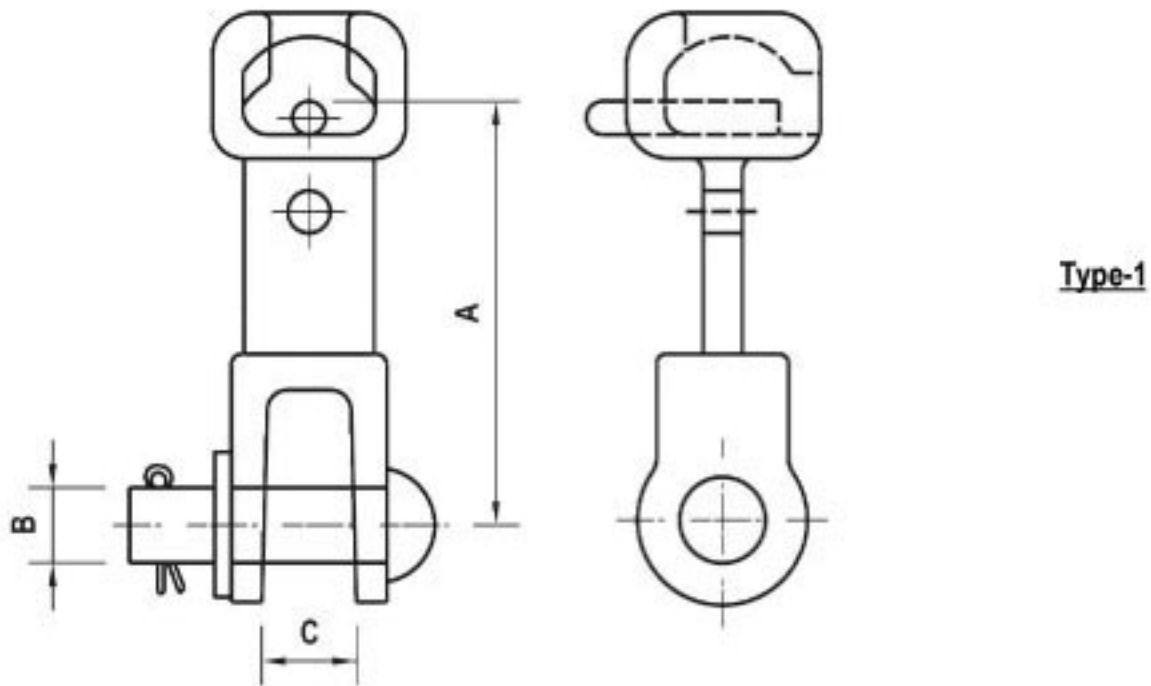


Material : Forged Steel  
 Finish : Hot dip galvanised to BS 729

## Horn Holder Socket Clevis



Type	A mm	B mm	C mm	Ball Size mm	Rating Kg	Cat. #
1	96	16	22	16	7,000/9,000	HHSC03
1	102	20	22	20	11,500/16,500	HHSC04
2	96	16	22	16	7,000/9,000	HHSC05
2	102	20	22	20	11,500/16,500	HHSC06