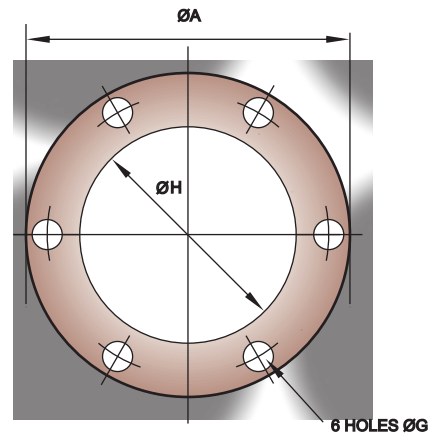
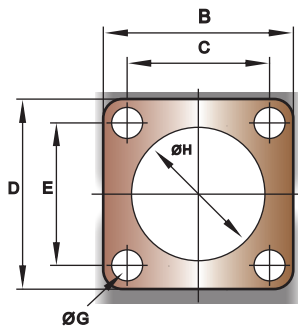


FITTINGS FOR WIPING GLANDS

Insulating Plates

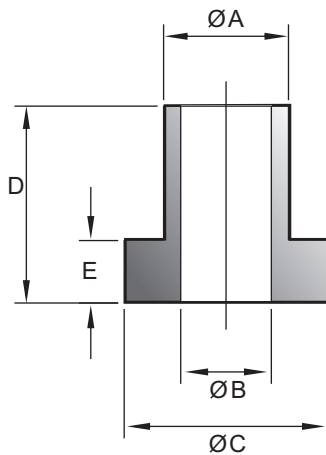
Material : Thermoplastic Elastomer or Cork



| Insulating Plate | Dimension in mm | | | | | | | E - Code |
|------------------|-----------------|-----|----|-----|----|----|-----|----------|
| | A | B | C | D | E | G | H | |
| PX | - | 90 | 66 | 90 | 66 | 14 | 60 | APX50002 |
| PY | - | 114 | 86 | 123 | 95 | 16 | 90 | APY50001 |
| PZ | 190 | - | - | - | - | 16 | 108 | APZ50003 |

Insulating Bush

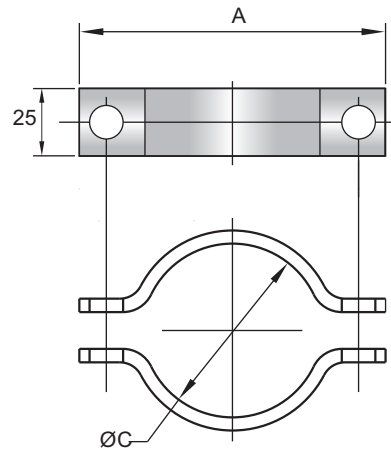
Material : Neoprene



Armour Clamp

Material : M.S Strip

Finish : Electro Zinc Plated



| Insulating Bush | Dimension in mm | | | | |
|-----------------|-----------------|------|----|----|----|
| | A | B | C | D | E |
| A | 15 | 11.2 | 22 | 28 | 10 |
| B | 18 | 14 | 28 | 28 | 10 |

| Gland Size | Dimension in mm | | | E - Code |
|------------|-----------------|-----|-----|----------|
| | A | B | C | |
| X | 140 | 108 | 73 | AACX |
| Y | 175 | 145 | 103 | AACY |
| Z | 190 | 160 | 123 | AACZ |

| Gland Size | Insulating Plate | Insulating Bush |
|------------|------------------|-----------------|
| X | PX | A |
| Y | PY | B |
| Z | PZ | B |