

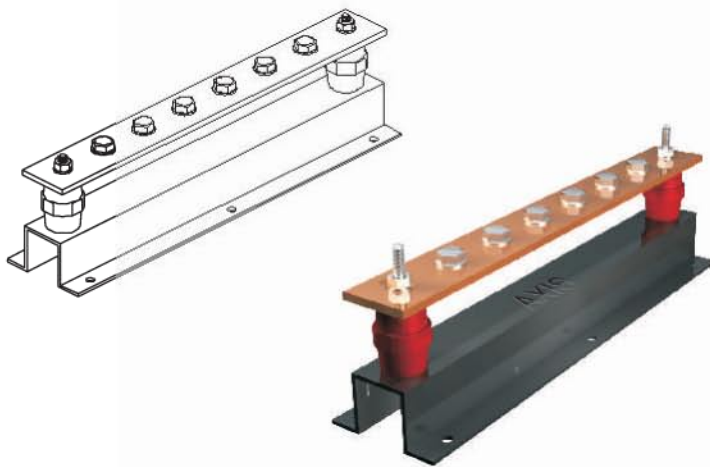
EARTH BARS AND DISCONNECTING LINK



EARTH BARS

Made out of 50 x 6 mm pure copper bar pre-fitted on epoxy powder coated metal base mounted on insulators

Recommended fixing - round head woodscrew 1-1/2" x no. 16 and wall plug Range : 6 ways to 24 ways



Description	Length (mm)	E - Code
6 Way	400	EB006
8 Way	500	EB008
10 Way	600	EB010
12 Way	700	EB012
14 Way	800	EB014
16 Way	900	EB016
18 Way	1000	EB018
20 Way	1100	EB020
22 Way	1200	EB022
24 Way	1300	EB024

