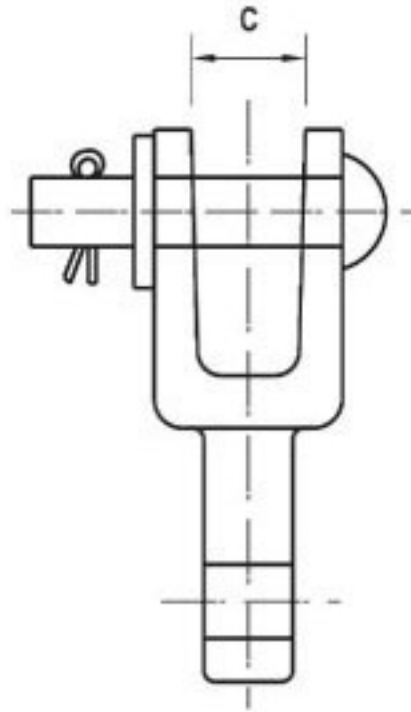
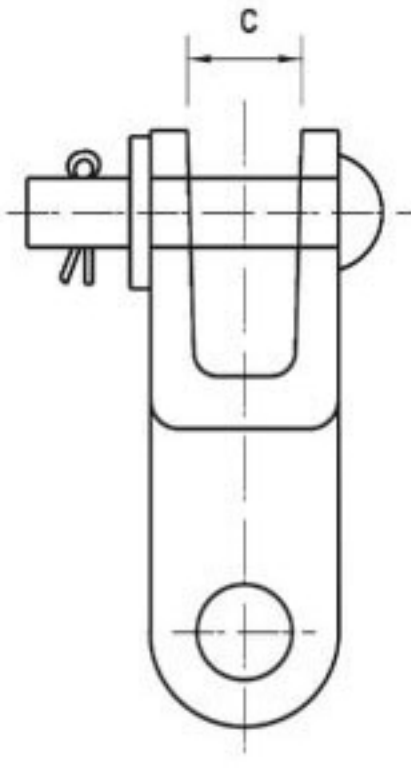


Material : Forged Steel
 Finish : Hot dip galvanised to BS 729

Clevis Eye



Type-1



Type-2

Type	A mm	B mm	C mm	Rating Kg	Cat. #
1	76	16	22	7,000/9,000	CE01
1	90	20	22	11,500/16,500	CE02
2	76	16	22	7,000/9,000	CE03
2	90	20	22	11,500/16,500	CE04