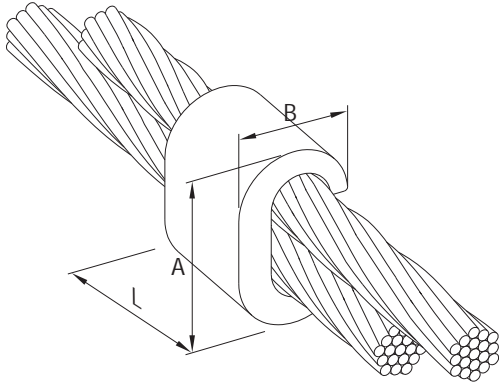


## 'C' TYPE CONNECTORS - COMPRESSION TYPE

These connectors are used for tap and Parallel connection of stranded copper cable in earthing application and are ideal for making permanent joints where periodic disconnection is not required.

MATERIAL : EC GRADE COPPER  
 FINISH : ELECTRO TINNED / UNTINNED



CABLE SIZE mm <sup>2</sup>	DIMENSIONS IN mm			E - CODE
	A	B	L	
C25 - C25	20.6	12	21	CC2525C
C35 - C35	26.4	15.4	21	CC3535C
C50 - C50	34	21.2	28	CC5050C
C70 - C70	31	19.8	28	CC7070C
C95 - C95	40	25.5	29	CC9595C
C120 - C120	44	27	31	CC120120C
C150 - C150	44.5	29.7	35	CC150150C
C185 - C185	51.8	30	35	CC185185C
C240 - C240	57.7	33.6	35	CC240240C
C16-35 - 50-70C	33.4	21	23	CC7035C
C25-50 - 70-95C	40.8	26	28	CC9550C