

CW Industrial Cable Gland



Brass indoor and outdoor gland most popularly used with single wire armoured, plastic or rubber sheathed cable. Terminates and secured cable armouring and outer seal grips sheath of cable thus ensuring mechanical strength and earth continuity.

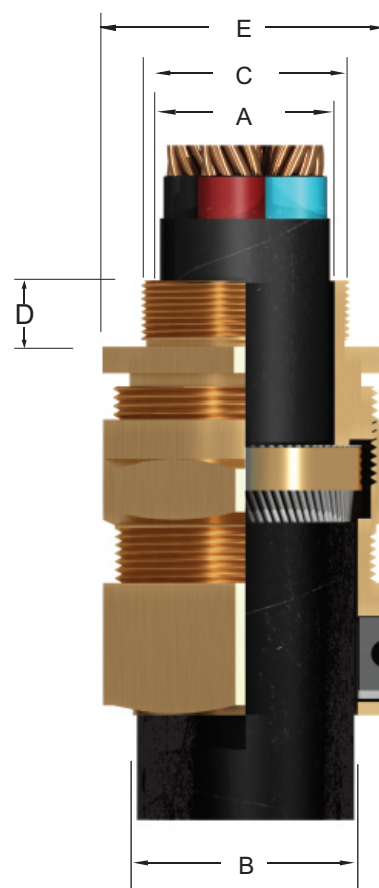
Earth tags to be use for earth continuity.

CW brass glands are also supplied with integral earth facilities.

Recommended to use PVC shroud for additional ingress protection.

TECHNICAL DATA

Type	CW
Design Specification	BS 6121 : Part I : 1989
Ingress Protection	IP 66
Gland Material	Brass
Finish	Plain Brass or Nickel Plated
Seal Material	Thermoplastic Elastomer
Cable Type	Steel Wire Armour
Armour Clamping	Three Part (With Lock Nut)
Sealing Technique	Compression Type
Sealing Area	Outer Sheath



Gland Size	CABLE DIMENSIONS ACCOMODATED			GLAND DIMENSIONS					E- CODE
	Under Armour Dia Max	Overall Dia Max	Armour Wire Dia	Dia 'A'	Dia 'B'	Metric Entry Thread 'C'	Minimum Thread Length 'D'	Across Flat 'E' Max	
16	6.0	13.2	0.9	9.5	16.9	16	10	24.20	CWG0016B
20S	11.6	15.8	0.9/1.25	12.3	17.0	20	10	24.00	CWG0020SB
20L	13.9	19.5	0.9/1.25	14.3	20.3	20	10	27.17	CWG0020LB
25S	15.5	25.8	0.9/1.25	18.3	26.4	25	10	32.75	CWG0025SB
25L	19.9	26.0	0.9/1.25	20.8	26.9	25	10	34.30	CWG0025LB
32	25.2	33.5	1.60/2.0	26.9	34.1	32	10	42.90	CWG0032LB
40S	29.4	38.5	1.60/2.0	31.5	39.6	40	15	49.30	CWG0040SB
40L	32.1	39.9	1.60/2.0	32.5	41.8	40	15	50.80	CWG0040LB
50S	39.5	49.0	2.0/2.25	40.9	50.2	50	15	61.70	CWG0050SB
50L	43.2	51.0	2.0/2.25	44.4	52.8	50	15	63.75	CWG0050LB
63S	50.6	58.9	2.5	51.8	61.9	63	15	73.90	CWG0063SB
63L	55.9	65.3	2.5	56.4	66.5	63	15	78.50	CWG0063LB
75S	61.9	71.6	2.5	63.2	74.2	75	20	87.40	CWG0075SB
75L	67.9	78.0	2.5	68.6	78.5	75	20	96.00	CWG0075LB
90	74.0	88.0	2.5	79.0	90.2	85	20	105.30	CWG0090LB

Dimensions in Millimeters