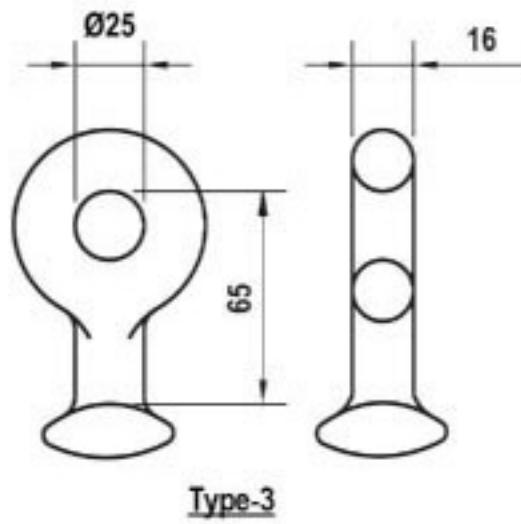
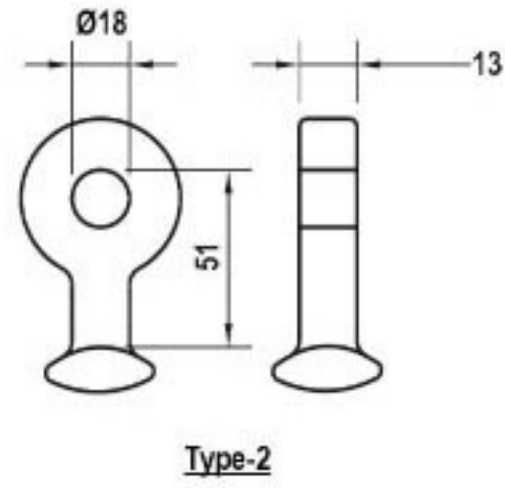
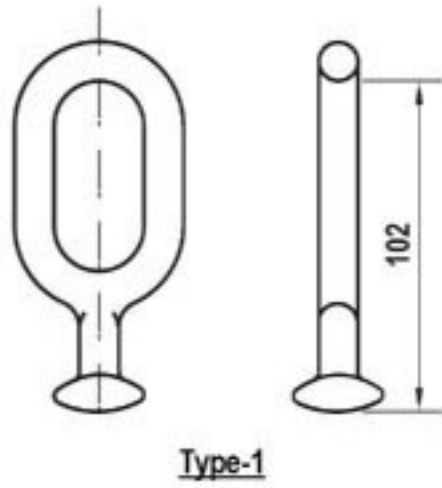


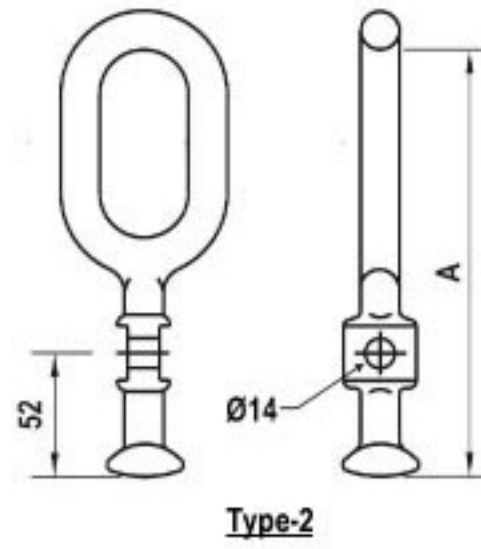
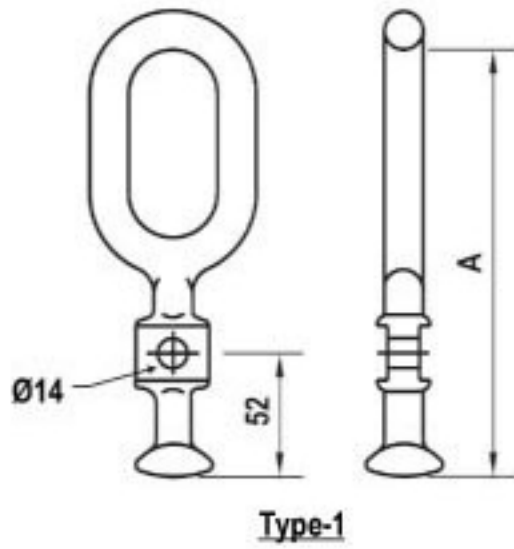
Material : Forged Steel
 Finish : Hot dip galvanised to BS 729

Ball Link / Ball Eye



Type	Ball Size mm	Rating Kg	Cat. #
1	16	7,000/9,000	BL01
1	20	11,500/16,500	BL02
2	16	7,000/9,000	BE01
3	16	7,000/9,000	BE02

Horn Holder Ball Link



Type	A mm	Ball Size mm	Rating Kg	Cat. #
1	156	16	7,000/9,000	HHBL01
1	171	20	11,500/16,500	HHBL02
2	156	16	7,000/9,000	HHBL03
2	171	20	11,500/16,500	HHBL04