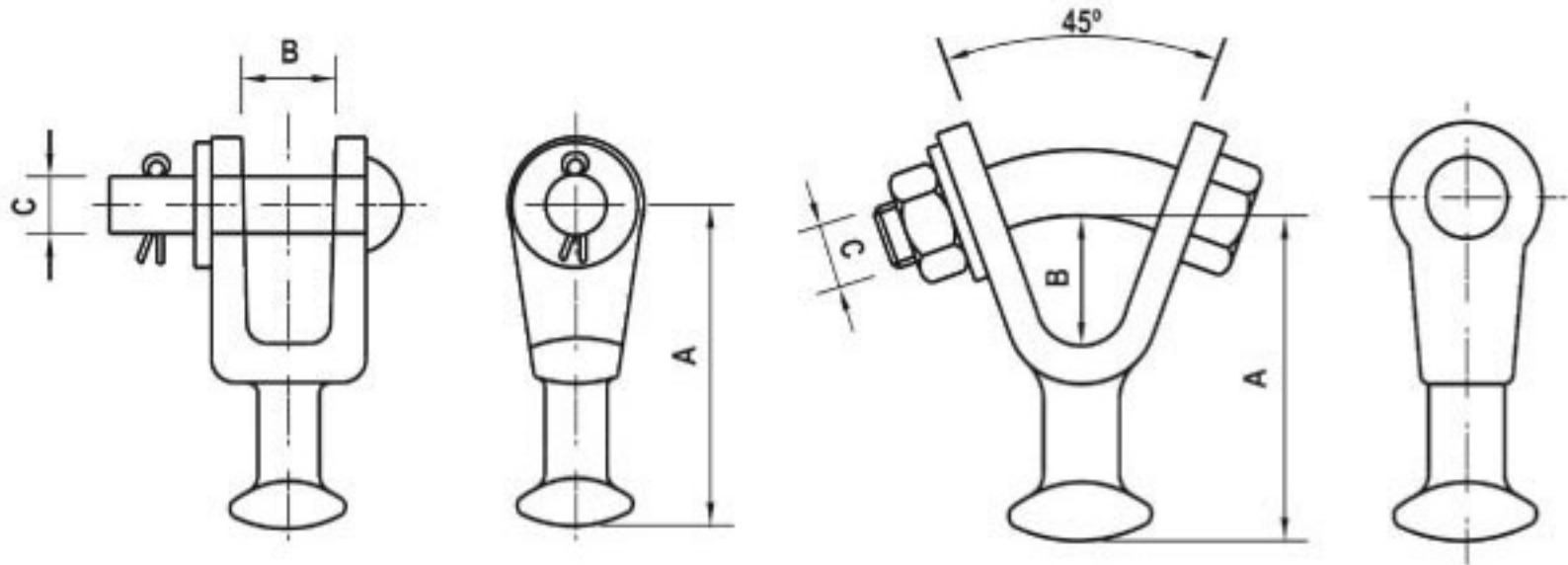


Material : Forged Steel  
 Finish : Hot dip galvanised to BS 729

## Ball Clevis

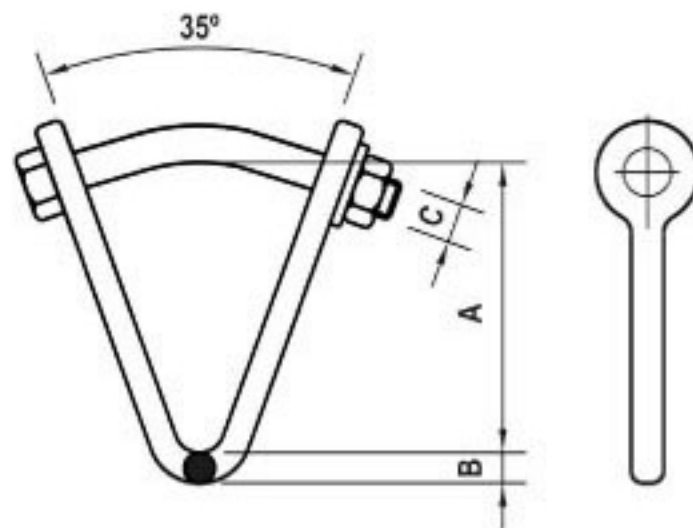


**Type-1**

**Type-2**

Type	A mm	B mm	C mm	Ball Size mm	Rating Kg	Cat. #
1	76	20	16	16	7,000/9,000	BC01
1	102	22	20	20	11,500/16,500	BC02
1	102	24	22	20	11,500/16,500	BC03
2	85	38	16	20	7,000/9,000	BC04
2	105	40	20	20	11,500/16,500	BC05

## Ball Clevis



A mm	B mm	C mm	Rating Kg	Cat. #
90	19	20	11,500/16,500	BCV01
100	22	25	22,800	BCV02
90	15	30	32,800	BCV03