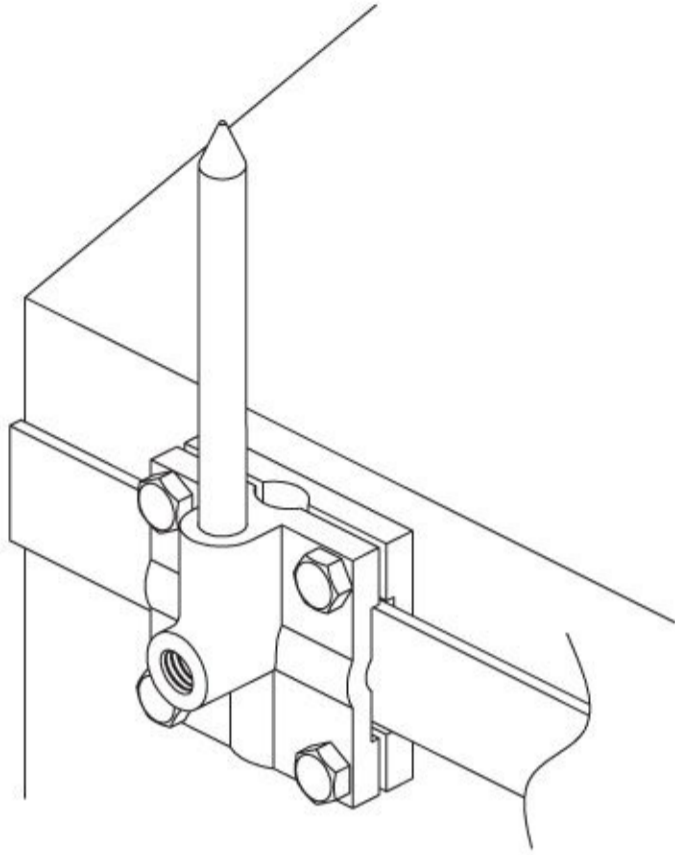


LIGHTNING PROTECTION SYSTEM / CIRCULAR CONDUCTOR SYSTEM

MULTIPLE FUNCTION AIR TERMINAL BASE

Used for Supporting & Secure Flat Tape to the Structure.



MATERIAL : HIGH GRADE COPPER ALLOY
BOLT : STAINLESS STEEL - SS304

ROD THREAD DIA. IN mm	CONDUCTOR SIZE IN mm ²	COPPER FLAT SIZE IN mm	E-CODE
5/8"	35 - 50	25 x 3	ATBM5850
5/8"	70 - 95	25 x 3	ATBM5895
3/4"	35 - 50	25 x 3	ATBM3450
3/4"	70 - 95	25 x 3	ATBM3495

