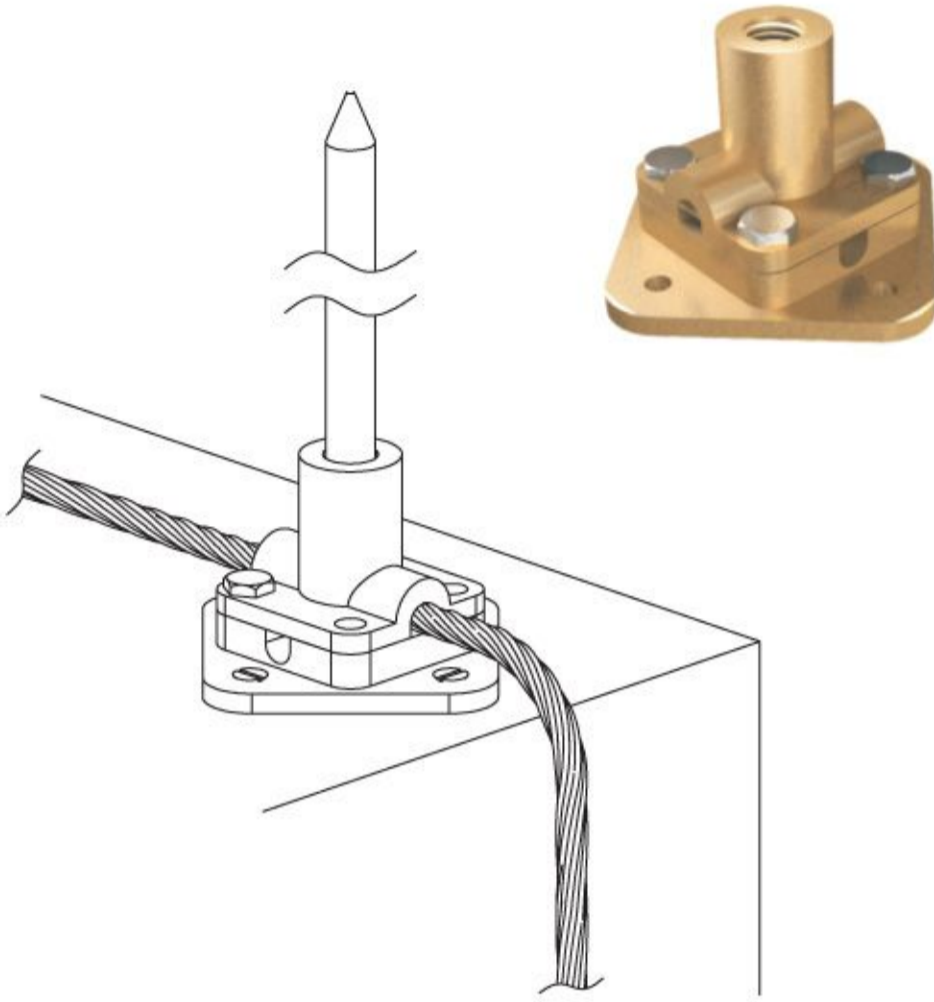


LIGHTNING PROTECTION SYSTEM / CIRCULAR CONDUCTOR SYSTEM

AIR TERMINAL BASE

Suitable to install Air terminal and make positive continuity to earthing conductor.



MATERIAL : HIGH GRADE COPPER ALLOY
BOLT : STAINLESS STEEL - SS304

Conductor size, mm ²	Thread Dia.	E - Code
50	5/8"	ATB1650C
70	5/8"	ATB1670C
95	5/8"	ATB1695C
50	3/4"	ATB2050C
70	3/4"	ATB2070C
95	3/4"	ATB2095C

